

The Extended Family Tree Game

- 1 Read the clues.
- 2 Write the names in the family tree.
- 3 Check your answers with a partner.

CLUES

Rodolfo married Marion.

Amy is Rodolfo's granddaughter.

Alyssa is married to Ricky

Michelle has two grandsons.

Harry and Michelle are Jennifer's father and mother.

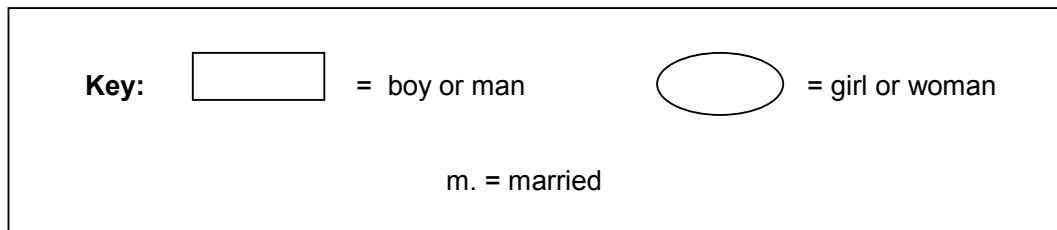
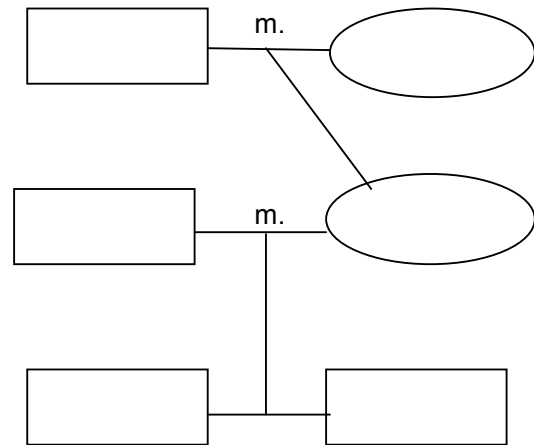
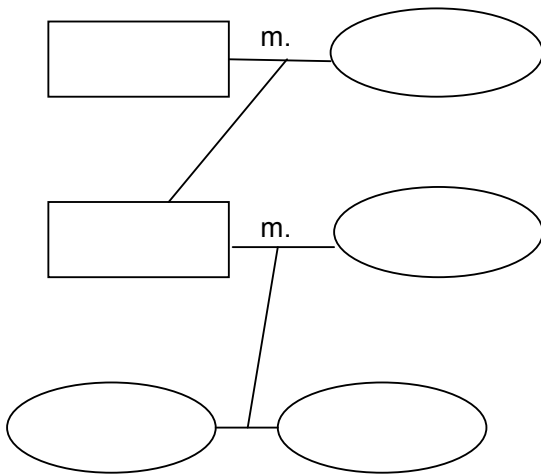
Bruce is Henry's father.

Ricky is Maria and Amy's father.

Bruce is not married to Michelle.

Harry is Michael's grandfather.

Jennifer has two sons.



The Extended Family Tree Game

Answer Key

